

# TW FLASH-N-WRAP® PRO

## SELF-ADHERING SHEET MEMBRANE

MANUFACTURED IN COLUMBUS, KS



WATERPROOFING PRODUCTS BEGIN TO AGE AS SOON AS THEY ARE EXPOSED TO NATURE. BUILDINGS EXPERIENCE AGING FACTORS DIFFERENTLY, SO IT IS DIFFICULT TO PREDICT HOW LONG WATERPROOFING PRODUCTS WILL LAST. THAT'S WHY TAMKO PROVIDES A LIMITED WARRANTY THAT INCLUDES A BINDING ARBITRATION CLAUSE AND OTHER TERMS AND CONDITIONS WHICH ARE INCORPORATED HEREIN BY REFERENCE. YOU MAY OBTAIN A COPY OF THE LIMITED WARRANTY AT [TAMKO.COM](http://TAMKO.COM) OR BY CALLING 1-800-641-4691.



**IMPORTANT SAFETY INFORMATION:** Do not install until all appropriate safety precautions have been read and understood.

[The TAMKO Safety Data Sheet \(SDS\) is available at tamko.com/sds.](http://tamko.com/sds)

Always use appropriate fall protection equipment and wear appropriate personal protective equipment (PPE) when working with this product. Moisture, frost or debris will decrease the traction and can cause slippery conditions when walking on the product.

**Applicator safety is of utmost importance.**

---

**THIS TAMKO® PRODUCT IS COVERED BY A LIMITED WARRANTY AND ARBITRATION AGREEMENT, THE TERMS OF WHICH ARE PRINTED ON THE WRAPPER.**

---

**THESE ARE THE MANUFACTURER'S APPLICATION INSTRUCTIONS FOR TW FLASH-N-WRAP® PRO. TAMKO BUILDING PRODUCTS, INC. ASSUMES NO RESPONSIBILITY FOR LEAKS OR OTHER DEFECTS RESULTING FROM FAILURE TO FOLLOW THE MANUFACTURER'S INSTRUCTIONS. FAILURE TO FOLLOW THESE INSTRUCTIONS WILL ADVERSELY AFFECT COVERAGE UNDER THE LIMITED WARRANTY AND ARBITRATION AGREEMENT. SEE THE LIMITED WARRANTY FOR DETAILS.**

**THIS PRODUCT IS COVERED BY A LIMITED WARRANTY THAT INCLUDES A BINDING ARBITRATION CLAUSE AND OTHER TERMS AND CONDITIONS, OF WHICH ARE PRINTED ON THE WRAPPER.**

**INFORMATION INCLUDED IN THESE APPLICATION INSTRUCTIONS WAS CURRENT AT THE TIME OF PRINTING. TO OBTAIN A COPY OF THE MOST CURRENT VERSION OF THESE APPLICATION INSTRUCTIONS, VISIT US ONLINE AT [WWW.TAMKO.COM](http://WWW.TAMKO.COM) OR CALL US AT 1-800-641-4691.**

**TW FLASH-N-WRAP® PRO****SELF-ADHERING SHEET MEMBRANE**

MANUFACTURED IN COLUMBUS, KS

**PREPARATION**

All surfaces must be dry and clean. Dirt, dust and any other foreign matter must be removed. Flashing should be applied when air, substrate, and temperatures are above 40° F.

Adheres to cast-in-place concrete, pre-cast concrete, masonry block, exterior gypsum sheathing, plywood, OSB, DensGlass®, EPS insulation, vinyl or metal surfaces. Concrete must be allowed to cure for a minimum of 7 days prior to application of flashing.

**PRIMING**

Priming is generally not required for most substrates provided they are clean and dry. However, on concrete, masonry, and DensGlass®, as well as any additional surfaces where adhesion is found to be marginal, prime the surface receiving flashing with the appropriate Adhesive Primer, TWP-1 Adhesive Primer\* or TWP-2 Water-Based Primer at the designated coverage rate according to primer application instructions for specified weather conditions.

**\*WARNINGS AND HAZARDS**

**TWP-1 Adhesive Primer contains combustible solvents. Avoid exposure to sparks, open flame, heat, and other forms of ignition. Use in well ventilated areas. Avoid breathing vapors. Refer to SDS for detailed product information and warnings.**

**FASTENING**

Mechanical fastening using a smooth-shank fastener is recommended in situations where adhesion is found to be marginal after priming. Stapling individual pieces of flashing around the entire perimeter of flashing 18" on center will maintain attachment to the substrate.

**GENERAL APPLICATION**

Unroll flashing and cut to the desired length. Begin by removing approximately 12" of the release film and center the flashing over the area to be covered. Firmly press or roll the flashing against the substrate and continue pulling the release film off while smoothing the flashing into place.

For DensGlass, sheathing and OSB, all air and vapor barrier applications are to be done vertically with flashing no longer than 6 feet. Material must be broomed in using a stiff, hand-held broom. In all DensGlass, and OSB applications, staples are to be applied 18" on center to the individual pieces of flashing around the entire perimeter of the piece.

**SPECIFIC APPLICATION**

The remaining portion of these application instructions addresses specific applications of the TW FLASH-N-WRAP® PRO membrane for window and door perimeter applications.

Be sure to read through these instructions to first identify the application method which is specific to your installation before you begin the application process.

Failure to properly apply TW FLASH-N-WRAP® PRO according to the application instructions may affect coverage under the applicable 5-year Limited Warranty and Arbitration Agreement.

**WINDOW FLASHING APPLICATION**

This section is for application of TW FLASH-N-WRAP® PRO to protect against moisture and air leaks around window perimeters.

**Before you begin** - Determine if window will be installed prior to or after installation of the Water Resistant Barrier (WRB) and follow the appropriate Method (Method A or A1) dependant on the WRB installation plan. Be sure to follow all preparation, priming, fastening, and general application procedures as stated previously in these instructions together with the specific window installation method.

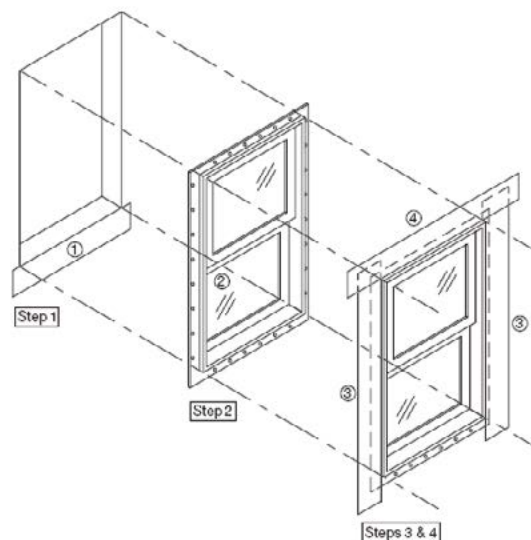


Figure 1: Window installation detail for windows with integral flanges and flashing installed prior to WRB

**METHOD A: APPLIED PRIOR TO WATER RESISTIVE BARRIER (WRB)**

**1. SILL FLASHING** - Flash the bottom of the sill by cutting the flashing the width of the rough opening plus 2 times the flashing width (as shown in figure 1). Partially remove the release liner so that the release liner remains in place on the lower 2" of the flashing. Center the flashing horizontally relative to the rough opening. Align the edge of the flashing with the adhesive exposed with the bottom of the rough window opening and firmly press the flashing into place. Tape the lower edge of the flashing to prevent wind damage until WRB installation. Do not adhere the bottom 2" of the flashing at this time (See step 5 below).

**2. INSTALL WINDOW** - Install the window in the rough opening following the window manufacturer's instructions.

**3. JAMB FLASHING** - Confirm window flange is clean and dirt-free by wiping the flange with a clean rag. Cut two jamb flashings the length of the rough opening plus 2 times the width of the flashing minus 1". Align the end of one jamb flashing even with the bottom of the sill flashing. Remove the release liner and press the flashing firmly into place, fully covering the flange along one side of the window. Repeat procedure for other side of window. The ends of the sill flashing must not protrude beyond the edges of the jamb flashings. If the sill flashing protrudes beyond the edges of the overlying jamb flashings, remove and discard the protruding portion of the sill flashing.

**4. HEAD FLASHING** - Confirm window flange is clean and dirt-free by wiping the flange with a clean rag. Cut the head flashing the width of the rough opening plus 2 times the width of the flashing plus 2". Center the head flashing over the rough opening. Remove the release liner and press the flashing firmly into place. Flashing must be flush against the top of the window, fully covering the window flange and extending 1" beyond the jamb flashing on each side.

**5. WRB INSTALLATION** - Install the WRB in accordance with the WRB manufacturer's instructions. Tuck the WRB under the unadhered portion of the sill flashing, remove the remainder of the release liner from the sill flashing, and adhere the sill flashing to the WRB by firmly pressing the flashing into place.

**WINDOW FLASHING APPLICATION  
 METHOD A1: APPLIED AFTER WATER RESISTIVE BARRIER (WRB)**

(Self-Adhesive Flashing for windows with integral flanges; flashing applied after Water Resistant Barrier)

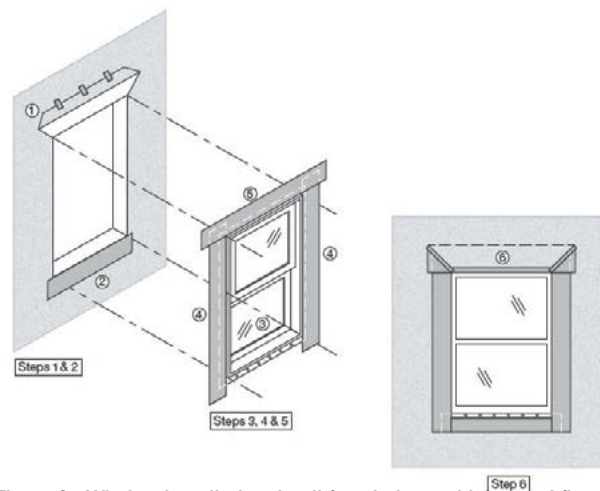


Figure 2: Window installation detail for windows with integral flanges and flashing installed after WRB

**1. PREPARATION OF INSTALLED WRB** - If the WRB covers all or part of the rough opening, cut the WRB even with the edge of the rough opening and discard the portion of the WRB that was removed from the rough opening (as shown in figure 2). At the head of window opening, cut the WRB at a 45° angle at each corner according to the diagram shown above. Carefully lift and tape up the corners to place WRB out of the way for remaining application steps.

**2. SILL FLASHING** - Flash the bottom of the sill by cutting the flashing the width of the rough opening plus 2 times the flashing width minus 2". Remove the release liner. Center the flashing horizontally relative to the rough opening and align the top edge of the flashing with the bottom of the rough window opening. Firmly press the flashing into place.

**3. INSTALL WINDOW** - Install the window in the rough opening following the window manufacturer's instructions.

**4. JAMB FLASHING** - Confirm window flange is clean and dirt-free by wiping the flange with a clean rag. Cut two jamb flashings the length of the rough opening plus 2 times the width of the flashing minus 1". Align the end of one jamb flashing even with the bottom of the sill flashing. Remove the release liner and press the flashing firmly

**TW FLASH-N-WRAP® PRO****SELF-ADHERING SHEET MEMBRANE**

MANUFACTURED IN COLUMBUS, KS

into place, fully covering the flange along one side of the window. Repeat procedure for other side of window.

**5. HEAD FLASHING** - Confirm window flange is clean and dirt-free by wiping the flange with a clean rag. Cut the head flashing the width of the rough opening plus 2 times the width of the flashing plus 2". Center the head flashing over the rough opening. Remove the release liner and press the flashing firmly into place. Flashing must be flush against the top of the window, fully covering the window flange and extending 1" beyond the jamb flashing on each side.

**6. COMPLETE THE HEAD FLASHING BY TAPING THE WRB** - Untape the WRB and lower over the flashing. Apply new pieces of sheathing tape diagonally over the cut WRB, adhering it to the flashing. Press firmly into place.

**DOOR FLASHING APPLICATION**

This section is for application of TW FLASH-N-WRAP® PRO to protect against moisture and air leaks around door perimeters.

**Before you begin** - Determine if door will be installed prior to or after installation of the Water Resistive Barrier (WRB) and follow the appropriate Method (Method A or A1) dependant on the WRB installation plan. Be sure to follow all preparation, priming, fastening, and general application procedures as stated previously in these instructions together with the specific door installation method.

**METHOD A: APPLIED PRIOR TO WATER RESISTIVE BARRIER (WRB)**

(Self-Adhesive Flashing for doors with integral flanges; flashing applied prior to Water Resistive Barrier)

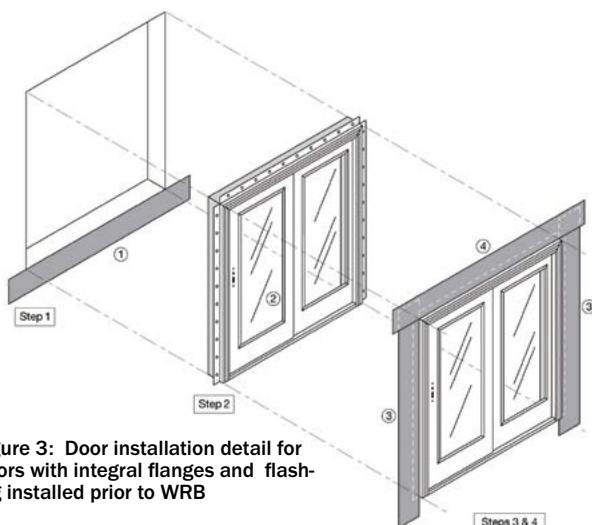


Figure 3: Door installation detail for doors with integral flanges and flashing installed prior to WRB

**1. SILL FLASHING** - If the door will be installed without a mounting flange at the sill, prepare the sill to receive the door in accordance with the door manufacturer's installation instructions and proceed to step 2. If the door will be installed with a sill mounting flange, flash the bottom of the sill by cutting the flashing the width of the rough opening plus 2 times the flashing width. Partially remove the release liner so that the release liner remains in place on the lower 2" of the flashing. Center the flashing horizontally relative to the rough opening. Align the edge of the flashing with the adhesive exposed with the bottom of the rough window opening and firmly press the flashing into place. Tape the lower edge of the flashing to prevent wind damage until WRB installation. Do not adhere the bottom 2" of the flashing at this time (See step 5 below).

**2. INSTALL DOOR** - Install the door in the rough opening following the door manufacturer's instructions.

**3. JAMB FLASHING** - Confirm door flange is clean and dirt-free by wiping the flange with a clean rag. If the door is installed without a mounting flange at the sill, cut two jamb flashings long enough to extend below the rough opening sill up to the full width of the flashing material and above the rough opening head the width of the flashing minus 1". Align the end of one jamb flashing so it is positioned 1" below where the top of the head flashing will be located, remove the release liner and press the flashing firmly into place, fully covering the flange along one side of the door. Repeat procedure for other side of door.

If the door is installed with a sill mounting flange, cut two jamb flashings the length of the rough opening plus 2 times the width of the flashing minus 1". Align the end of one jamb flashing even with the bottom of the sill flashing. Remove the release liner and press the flashing firmly into place, fully covering the flange along one side of the door. Repeat procedure for other side of door. The ends of the sill flashing must not protrude beyond the edges of the jamb flashings. If the sill flashing protrudes beyond the edges of the overlying jamb flashings, remove and discard the protruding portion of the sill flashing.

**4. HEAD FLASHING** - Confirm door flange is clean and dirt-free by wiping the flange with a clean rag. Cut the head flashing the width of the rough opening plus 2 times the width of the flashing plus 2". Center the head flashing over the rough opening. Remove the release liner and press the flashing firmly into place. Flashing must be flush against the top of the door, fully covering the door flange and extending 1" beyond the jamb flashing on each side.



**TW FLASH-N-WRAP® PRO****SELF-ADHERING SHEET MEMBRANE**

MANUFACTURED IN COLUMBUS, KS



**5. WRB INSTALLATION** - Install the WRB in accordance with the WRB manufacturer's instructions. If the door is installed with a sill mounting flange, tuck the WRB under the unadhered portion of the sill flashing, remove the release liner from the sill flashing, and adhere the sill flashing to the WRB by firmly pressing the flashing into place.

**DOOR FLASHING APPLICATION****METHOD A1: APPLIED AFTER WATER RESISTIVE BARRIER (WRB)**

(Self-Adhesive Flashing for doors with integral flanges; flashing applied after Water Resistive Barrier)

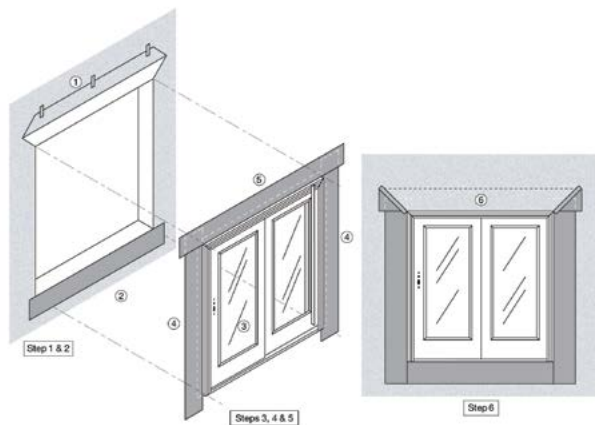


Figure 4: Door installation detail for doors with integral flanges and flashing installed after WRB

**1. PREPARATION OF INSTALLED WRB** - If the WRB covers all or part of the rough opening, cut the WRB even with the edge of the rough opening and discard the portion of the WRB that was removed from the rough opening. At the head of door opening, cut the WRB at a 45° angle at each corner according to the diagram shown above. Carefully lift and temporarily tape up the corners to place WRB out of the way for remaining application steps.

**2. SILL FLASHING** - If the door will be installed without a mounting flange at the sill, prepare the sill to receive the door in accordance with the door manufacturer's installation instructions and proceed to step 3. If the door will be installed with a sill mounting flange, flash the bottom of the sill by cutting the flashing the width of the rough opening plus 2 times the flashing width minus 2". Remove the release liner. Center the flashing horizontally relative to the rough opening and align the top edge of the flashing with the bottom of the rough door opening. Firmly press the flashing into place.

**3. INSTALL DOOR** - Install the door in the rough opening following the door manufacturer's instructions.

**4. JAMB FLASHING** - Confirm door flange is clean and dirt-free by wiping the flange with a clean rag. If the door is installed without a mounting flange at the sill, cut two jamb flashings long enough to extend below the rough opening sill up to the full width of the flashing material and above the rough opening head the width of the flashing minus 1". Align the end of one jamb flashing so it is positioned 1" below where the top of the head flashing will be located, remove the release liner and press the flashing firmly into place, fully covering the flange along one side of the door. Repeat procedure for other side of door.

If the door is installed with a sill mounting flange, cut two jamb flashings the length of the rough opening plus two times the width of the flashing minus 1". Align the end of one jamb flashing even with the bottom of the sill flashing. Remove the release liner and press the flashing firmly into place, fully covering the flange along one side of the door. Repeat procedure for other side of door.

**5. HEAD FLASHING** - Confirm door flange is clean and dirt-free by wiping the flange with a clean rag. Cut the head flashing the width of the rough opening plus 2 times the width of the flashing plus 2". Center the head flashing over the rough opening. Remove the release liner and press the flashing firmly into place. Flashing must be flush against the top of the door, fully covering the door flange and extending 1" beyond the jamb flashing on each side.

**6. COMPLETE THE HEAD FLASHING BY TAPING THE WRB** - Untape the WRB and lower over the flashing. Apply new pieces of sheathing tape diagonally over the cut WRB, adhering it to the flashing. Press firmly into place.